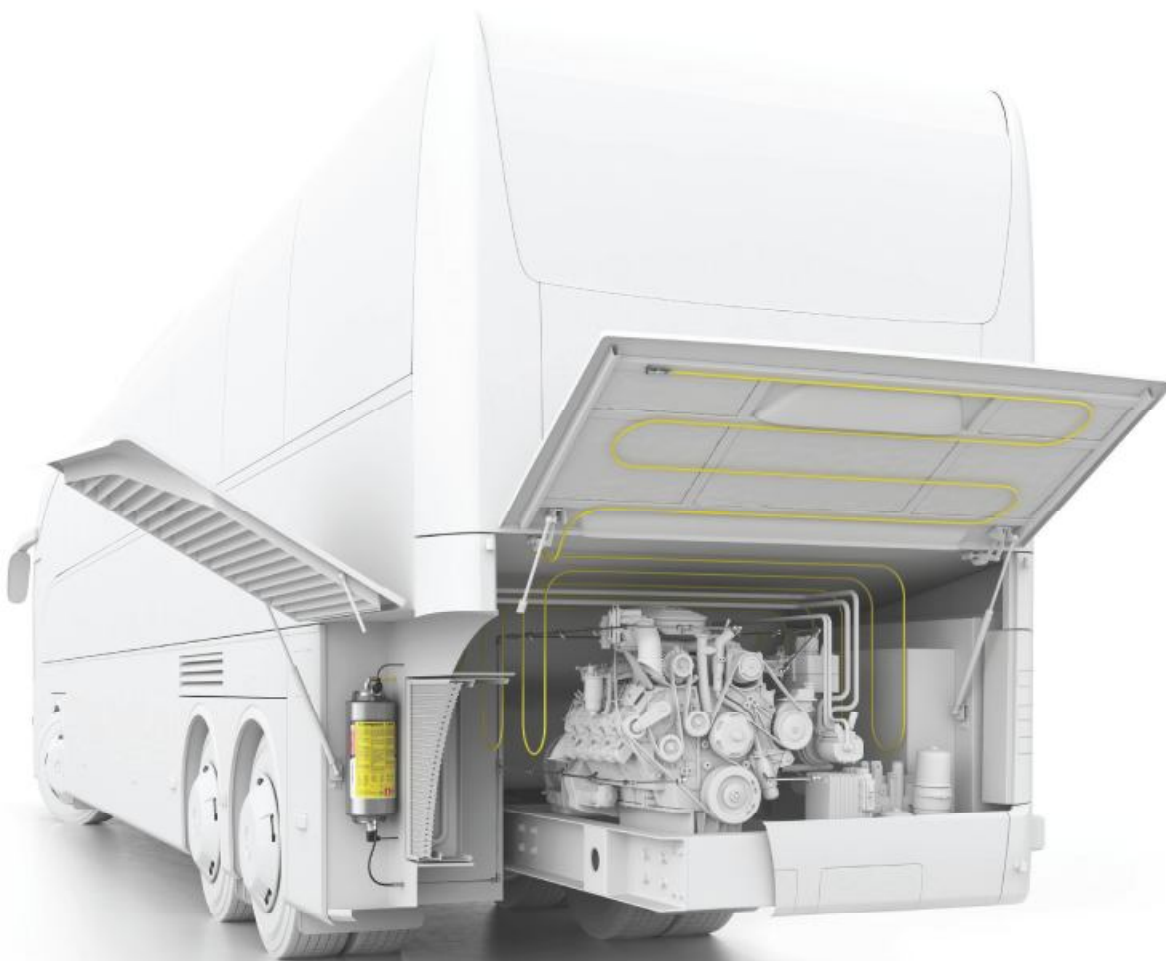




ROTAREX
FIRETEC



PRE ENGINEERED SYSTEMS FOR VEHICLE ENGINES

A COMPLETE DETECTION & SUPPRESSION SYSTEM PRE-ENGINEERED FOR VEHICLE ENGINES

- ★ Protects passengers and valuable equipment
- ★ Easy / Flexible installation
- ★ Quick & Effective suppression
- ★ Highly Dependable: no electricity
- ★ Highly economical



EVERYTHING YOU NEED TOGETHER IN ONE BOX



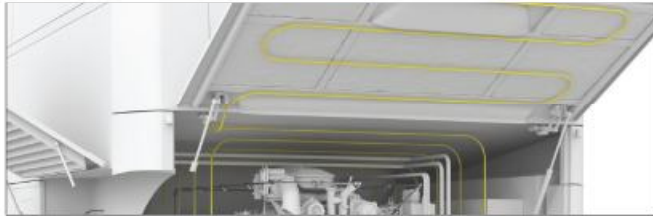
REDUCES EVEN THE MOST CRITICAL VEHICLE ENGINE FIRE RISKS:

- Oil residue and fuel leaks
- Engine overheating
- Short circuits
- Passenger injury
- Vehicle damage & repair



THE FIREDETEC® DIFFERENCE

Rotarex FireDETEC® systems use a proprietary continuous linear sensor tube that reliably detects and actuates release of the extinguishing agent using pneumatic technology. It is more flexible, space efficient and cost effective versus alternative mechanical or electronic systems.

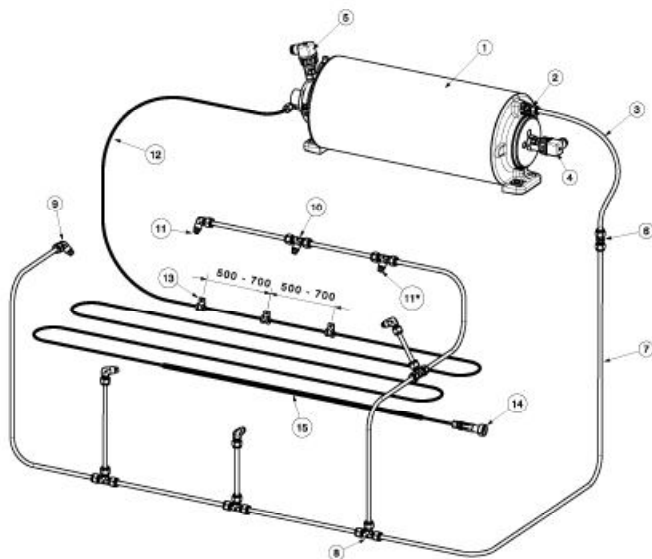
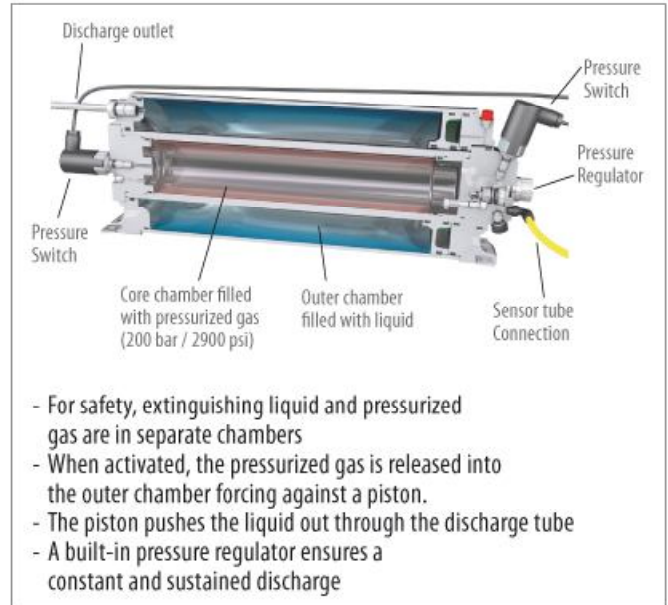


1. Quick & Easy installation directly inside engine compartments:
The flexible sensor tubing is easily installed directly above and around the engine - closer to where a fire could start.

When in service, the tubing is pressurized with dry nitrogen to 16 bar. The dynamics of pressurization make the tubing more reactive to heat.

2. Early fire detection:
If a fire occurs, the heat of the fire causes the pressurized sensor tube to burst at the hottest spot (approx. 170°C)

3. Instant suppression:
The sudden tube depressurization actuates the special pressure differential valve and instantly floods the entire cabinet area with CO₂ extinguishing agent. The fire is quickly suppressed just moments after it began... minimizing damage and downtime.



Pos.	Qty.	Description
1	1	Special IHP cylinder/valve unit (unfilled)
2	1	Tube fitting
3	1	Rubber hoses
4	1	Pressure switch (160 bar)
5	1	Pressure switch (5 bar)
6	4	Tube fitting - straight
7	5	Stainless steel pipe (1 meter)
8	4	Tube fitting - tee
9	5	Nozzle fitting - threaded elbow
10	2	Nozzle fitting - threaded tee
11	7	Spray nozzle
12	1	FireDETEC® tube (black, 10m)
13	30	Screw clip for tube attachment
14	1	End of line adapter
15	1	Protection spring for sensor tubing

*Mount nozzles with PTFE band

SPECIFICATIONS

	Liquid extinguishing agent
Product code	B09026001
Cylinder kit size	7 liters
Cylinder volume	7 liters
Cylinder approval	CE
Weight (empty)	13 Kgs.

WORLDWIDE HEADQUARTERS

24, rue de Diekirch, BP 19
L-7505 Lintgen
Luxembourg
Tel.: +352 32 78 32-1
Fax: +352 32 78 32-854
E-mail: info@firetec.rotarex.com

OTHER AVAILABLE PRE-ENGINEERED SYSTEMS:

ELECTRICAL CABINETS



CNC MACHINES



FUME CABINETS



COMMERCIAL KITCHENS

